

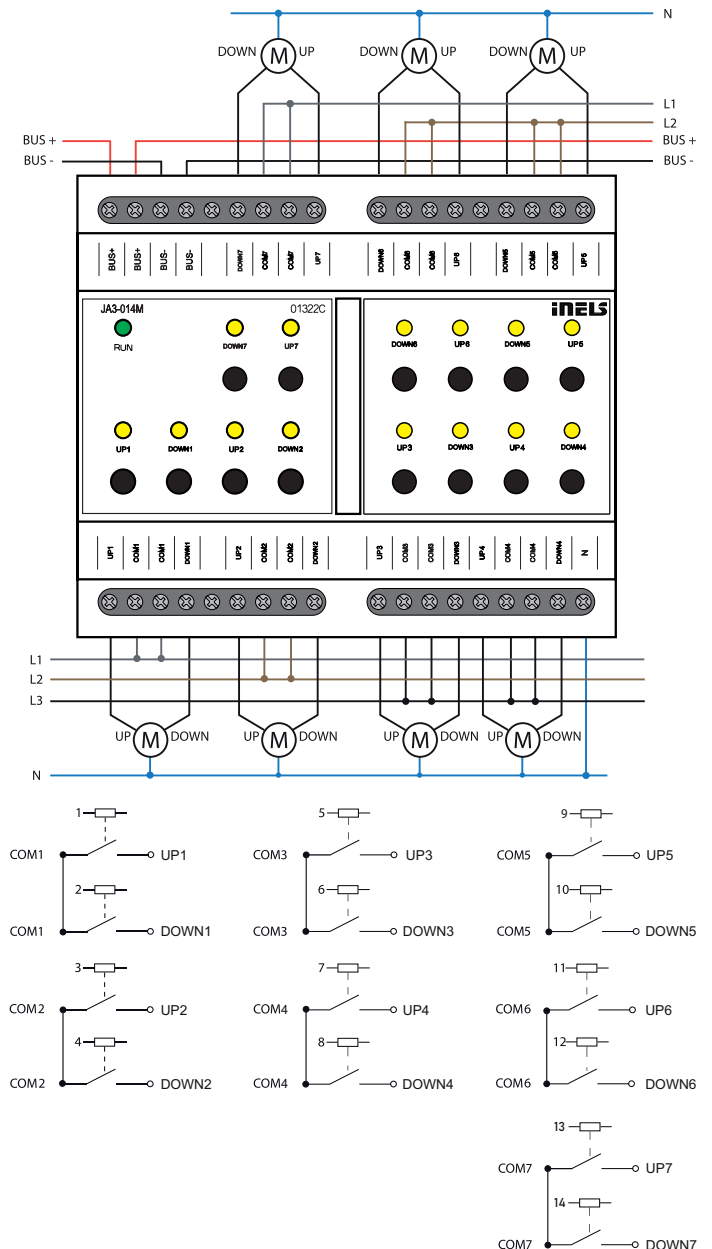


EAN code
JA3-014M: 8595188191258
Order Code: 9125

Technical parameters		JA3-014M
Outputs		
Output:	14x switching 0.5 A/AC15	
Switched voltage:	250 V AC, 30 V DC	
Switched output:	125 VA/AC15	
Protection:	10A (maximum output) B class circuit breaker	
Peak current:	10 A	
Output relays separated from all internal circuits:	reinforced insulation (Cat. II surges by EN 60664-1)	
Isolation between relay outputs COM 1,2 COM 3,4 COM 5,6 COM 7,8 COM 9,10 COM 11,12:	reinforced insulation (Cat. II surges by EN 60664-1)	
Isolates. voltage open relay contact:	1 kV	
Max. current of one common terminal:	12 A	
Minimal switched current:	100 mA/10 V DC	
Switching frequency without load:	300 min ⁻¹	
Switching frequency with rated load:	15 min ⁻¹	
Mechanical life:	1x 10 ⁷	
Electrical life AC1:	1x 10 ⁵	
Mains voltage detection:	yes (relay switching in zero)	
Output indication:	14x yellow LED	
Control:	14x buttons front panel	
Communication		
Installation BUS:	BUS	
Status indication unit:	green LED RUN - status led for relay	
Power supply		
Voltage of BUS/tolerance/nominal current:	27 V DC, -20/+10 %, 150 mA	
Connection		
Terminal:	max. 2.5 mm ² /1.5 mm ² with sleeve	
Operating conditions		
Operating temperature:	-20 to +55 °C	
Storing temperature:	-30 to +70 °C	
Protection degree:	IP20 device, IP40 mounting in the switchboard	
Overvoltage category:	II.	
Pollution degree:	2	
Operating position:	any	
Installation:	switchboard on DIN rail EN 60715	
Design:	6-MODULE	
Dimensions and weight		
Dimensions:	90 x 105 x 65 mm	
Weight:	310 g	
Standards:	EN 63044-1	

- JA3-014M is an actuator designed for controlling rollers, shutters, blinds, awnings, garage doors, entrance gates, etc.
- It controls electric drives that are controlled in two directions and have a built-in limit switch.
- The unit's status is indicated by the green RUN LED on the front panel
 - if the BUS voltage is connected, but there is no communication via BUS with master, the LED RUN is on continuously.
 - if the bus voltage is connected and the unit communicates by BUS, the LED RUN flashes.
- The status of the output contacts is indicated by the Up/ Down LED:
 - when the blind/roller blind is moving up/down, the corresponding LED lights up.
 - if the number of switching operations per minute is exceeded, the corresponding LED flashes.
- Contact status of each relay JA3-014M can be changed separately and manually by control buttons on a front panel.
- The software blocking of output relay contacts can be secure using the iNELS Design Manager software.
- JA3-014M is normally supplied in the option AgSnO2 contact material.
- JA3-014M in 6-MODULE version is designed for mounting into a switchboard on DIN rail EN60715.
- The unit has synchronized closing and opening of the relay in the zero voltage of the sinusoidal waveform. The sync inputs are COM 1, 2, 3, 4, 5, 6 and 7 against the N terminal.

Connection



Note:
For the protection of relay it is recommended to use protection device: 10A (maximum output) B class circuit breaker.