



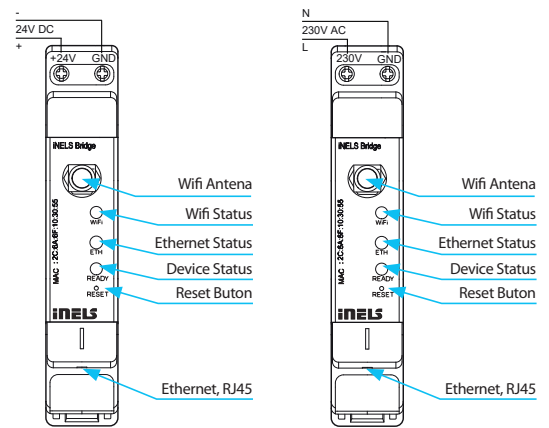
EAN code
 iNELS Bridge 24V DC: 8595188185097
 iNELS Bridge 230V AC: 8595188185240

Technical parameters **iNELS Bridge**

Communication	
Communication network:	Ethernet/WiFi
Pre Installed software:	Connection Server, Home Assistant, Asterisk, MQTT Broker
Ethernet	
Connectors:	RJ-45
Communication speed:	10/100Mb
Ethernet status indication:	LED link
Preset IP address (ETH):	DHCP, mDNS
Wifi:	IEEE 802.11 ac/a/b/g/n 2.4GHz / 5GHz
Status Indication LED:	WiFi On
Power supply	
Version 230V AC:	85–265VAC/5W
Version 24V DC:	8-36VDC/1A
Operating conditions	
Operating temperature:	-20 to +55 °C
Storage temperature:	-25 to +70 °C
Humidity:	max. 80%
Degree of protection:	IP20
Overvoltage category:	II.
Degree of pollution:	2
Operating position:	any
Installation:	DIN rail EN 60715
Design:	1-MODUL
Terminal:	max. 2.5 mm2
Dimensions and weight	
Dimensions:	94x17.6x64mm
Weight:	72g

- iNELS Bridge works as a gateway for connecting third party devices and integrating them into the iNELS environment
- It is a one module hardware contain powerful linux based computer.
- The unit comes with an option of pre-installed Connection server, Home assistant with inels driver and Asterisk.
- The server uses the open Home Assistant platform, which contains more than 1000 existing integrations
- The connection server is providing a communication environment between iNELS BUS System with the third-party devices, for which their protocols are also translated and submitted.
- iNELS Bridge is equipped with wifi and ethernet port for fast and easy communication.
- The configuration is happening on its own web interface, where the default IP address is not fixed. (The IP address is assigned from the DHCP server and it's needed to be known when we're connected to the network).

Device description



Infrastructure example

